



DT15

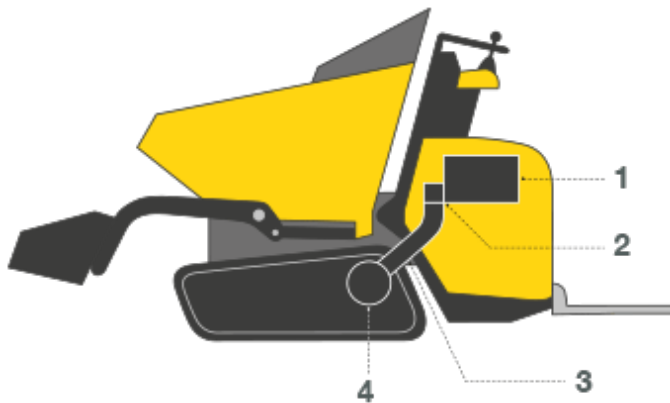
Track Dumpers



Maximum power: DT15

The track dumper DT 15 is the ideal transporter on all types of soil, such as gravel or sand, as well as boggy or hilly terrain. The one-piece engine hatch and optimal configuration of the service points make daily maintenance easy.

- The hydrostatic drive enables easy and comfortable operation.
- Folding ROPS roll bar for passageways with low-headroom.
- Low center of gravity for increased stability and guaranteed gradeability up to 62%.
- Auxiliary hydraulics as standard for additional attachments, such as concrete mixers, breakers etc.
- A variety of robust and stable hydraulic tipping skips and other attachments are available, for instance a front-tipping skip, a high-tipping skip, a 3-way side-tipping platform or a hydraulic high-volume concrete mixer.

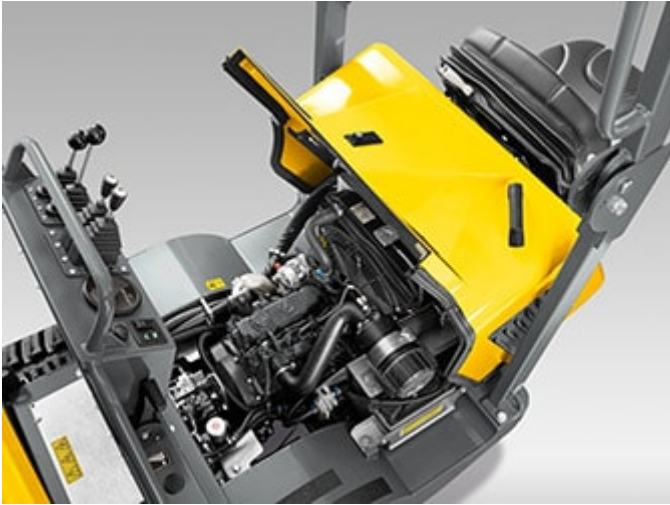


1. Diesel engine
2. Dual variable displacement pump
3. High pressure lines from the pump to the motor
4. Distributor transmission/axle

Hydrostatic drive system

Simply start and off you go: Thanks to the hydrostatic drive system, no frequent gear changing is required and the operator can focus entirely on his work. Ideal for rental parks or frequently changing operators.

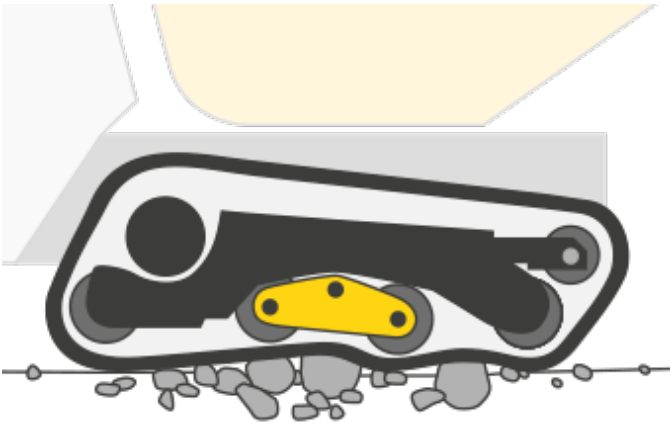
- Hydraulically activated, pilot-controlled forward + reverse travel lever for sensitive operation of the DT12, DT15 and DT25
- Two driving positions: optionally sensitive with a high tractive force or fast (not in DT10)
- Hydraulically activated drive system and work hydraulics can be operated independently from each other
- Low service and maintenance costs thanks to the low-wear drive system



Maintenance

Valuable time can be saved during maintenance and therefore money can also be saved. The better and faster the access to the hydraulics or engine are, the faster the machine is back in application.

- Good service access in order to safely take care of daily control procedures
- Quick access to the maintenance points
- High degree of safety due to the lockable engine hood



Always constant propulsion,
because the suspension-mounted rollers adapt to any terrain.



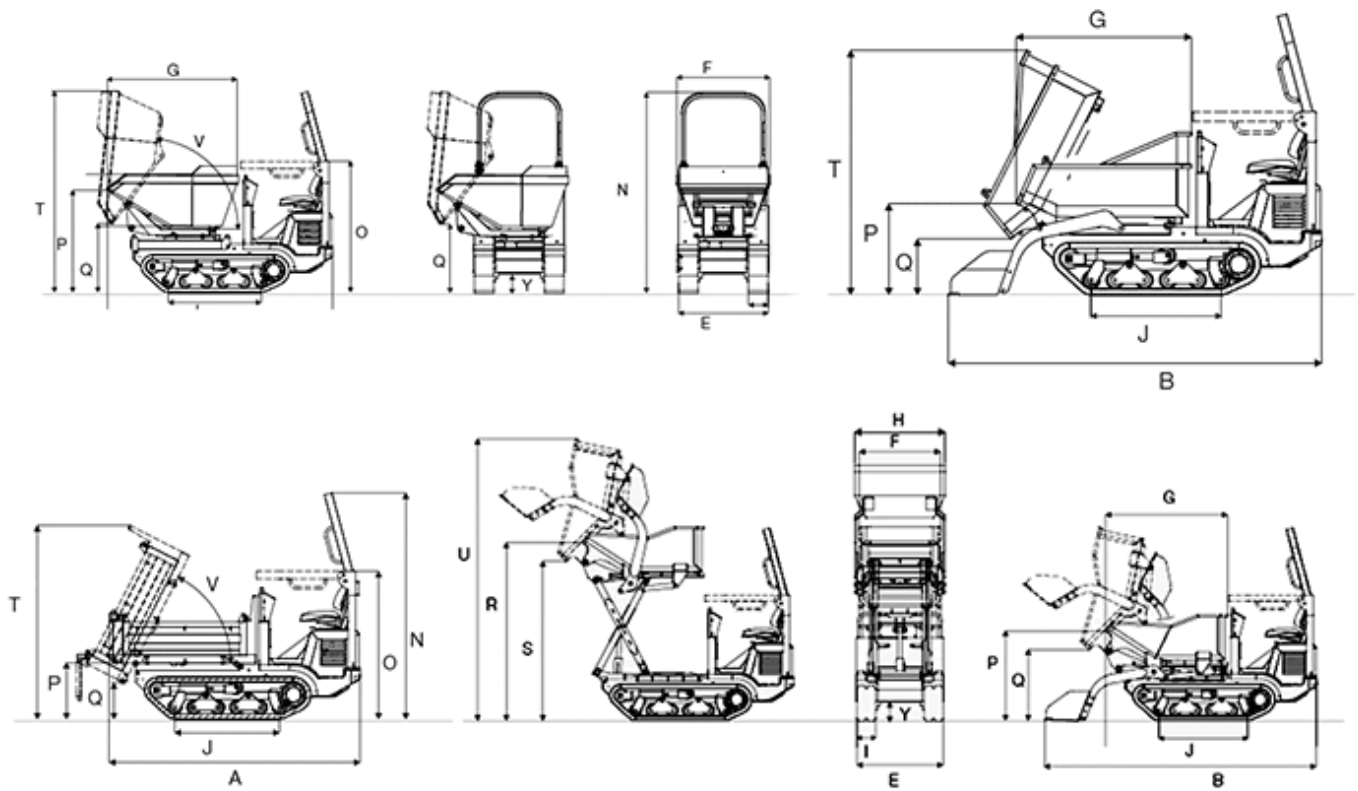
Technical specifications

	Front tip skip	Swivel Tip skip	High tip skip	Special skip	Concrete mixer
Operating data					
Shipping weight Diesel kg	1,310	1,330	1,540	1,270	1,430
Shipping weight Selbstladeeinrichtung kg	1,390		1,620		1,510
Payload max. kg	1,500	1,500	1,500	1,500	1,500
Skip capacity level I	660	550	632	520	
Skip capacity heaped I	800	760	650	690	360
L x W x H ROPS mm	2585 x 1080 x 2372	2674 x 1080 x 2372	2609 x 1080 x 2372	2640 x 1080 x 2372	2403 x 1080 x 2372
Engine / Motor					
Engine performance Diesel kW	15	15	15	15	15
at rpm rpm	3,000	3,000	3,000	3,000	3,000
Travel speed 1 km/h	4	4	4	4	4
Travel speed Diesel km/h	7.5	7.5	7.5	7.5	7.5
Gradeability %	27	27	27	27	27
Fuel tank capacity l	24	24	24	24	24



**WACKER
NEUSON**
all it takes!

Dimensions



	Front tip skip	Swivel tip skip	High tip skip	Special skip	Concrete mixer
A	Length (without running board)				
	2,585 mm	2,674 mm	2,609 mm	2,640 mm	2,403 mm
B	Length with self-loading equipment (without running board)				
	3,160 mm		3,365 mm		3,250 mm
E	Width Undercarriage				
	1,080 mm	1,080 mm	1,080 mm	1,080 mm	1,080 mm
F	Skip width				
	1,054 mm	1,102 mm	1,000 mm	1,020 mm	926 mm
G	Skip length				



		1,482 mm	1,537 mm	1,500 mm	1,547 mm	
H	Width with self-loading equipment					
		1,080 mm		1,121 mm	1,080 mm	
I	Chain width Track					
		230 mm	230 mm	230 mm	230 mm	
J	Length Track					
		1,100 mm	1,100 mm	1,100 mm	1,100 mm	
N	Height over ROPS rollbar					
		2,372 mm	2,372 mm	2,372 mm	2,372 mm	
O	Height over ROPS rollbar (collapsed)					
		2,022 mm	2,022 mm	2,022 mm	2,022 mm	
P	Height of skip front edge					
		770 mm	1,210 mm	1,104 mm	1,150 mm	1,254 mm
Q	Dump height max.					
		472 mm	810 mm	873 mm	380 mm	762 mm
R	Height of skip front edge when raised					
				2,193 mm		
S	Dump height max. of high-tipping skip when raised					
				1,963 mm		
T	Height Max., skip raised					
		2,070 mm	2,381 mm	2,383 mm	2,040 mm	1,647 mm
U	Height Max., high-tipping skip raised					
				3,472 mm		
V	Dump angle Skip dumping					
		63 °	84 °	78 °	63 °	62 °
Y	Ground clearance					



**WACKER
NEUSON**
all it takes!

224 mm

224 mm

224 mm

224 mm

224 mm

Please note

that product availability can vary from country to country. It is possible that information / products may not be available in your country. More detailed information on engine power can be found in the operator's manual; the stated power may vary due to specific operating conditions.

Subject to alterations and errors excepted. Applicable also to illustrations.

Copyright © 2017 Wacker Neuson SE.